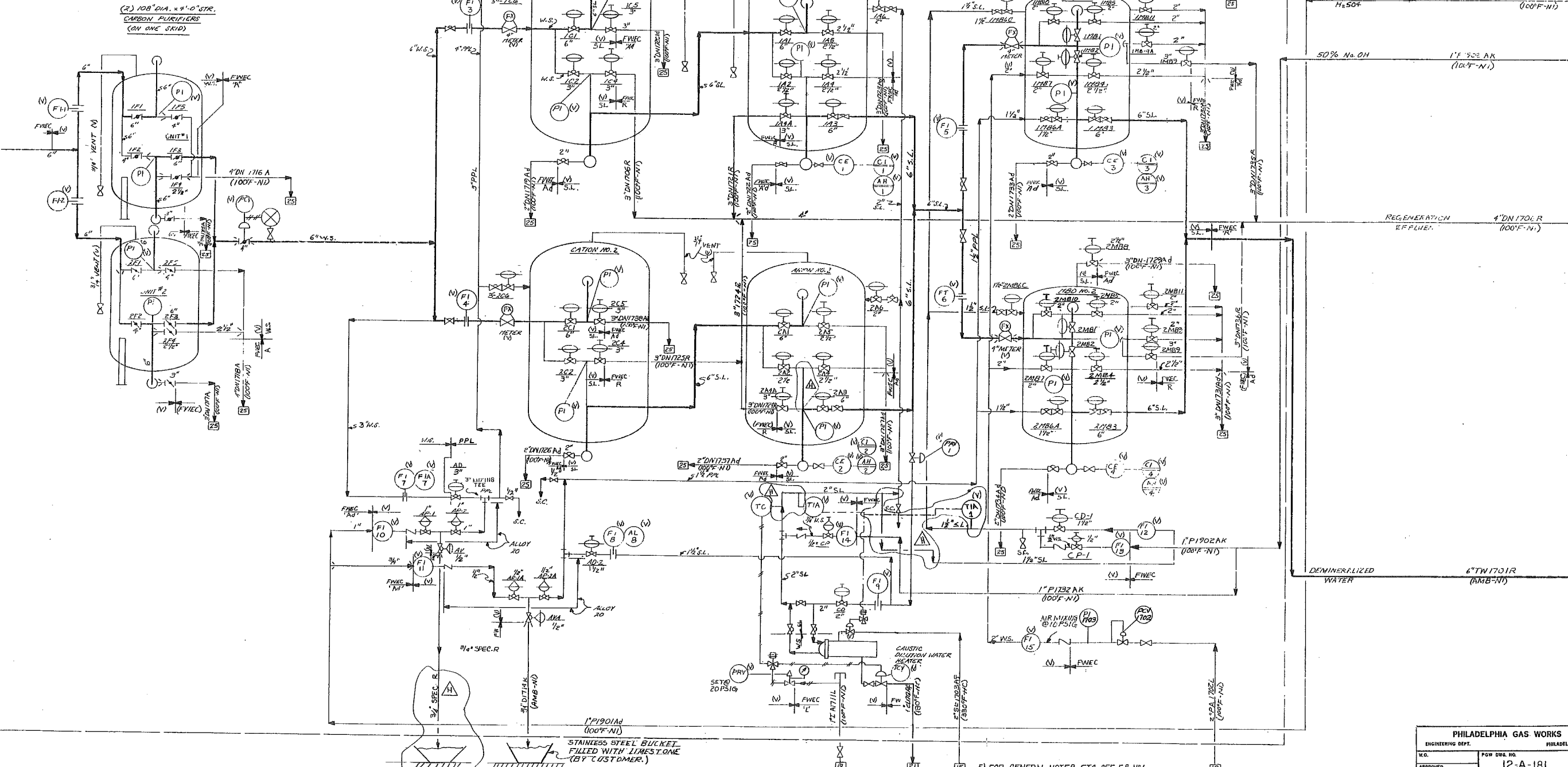


6" RW2201L
(100°F-NI)

PERMIT SYMBOLS

- DIAPHRAGM VALVE
- DOUBLE ACTING OPERATOR
- HAND WHEEL
- 3-RING OPERATOR
- 3-RING OPERATOR
- PRESSURE REGULATOR
- NS - INVOUGHT STEEL OR CARBON STEEL
- SL - SERRAN LINED
- PPL - POLYPROPYLENE LINED



<p>COOLING WATER SUPPLY (41504-NI)</p> <p>COOLING WATER RETURN (41504-NI)</p> <p>H.P. STEAM</p> <p>STEAM AT 100 PSI</p> <p>L.R. STEAM</p>	<p>DESUPERHEATER STEAM</p> <p>POTABLE WATER</p> <p>PLANT AIR</p> <p>INSTRUMENT AIR</p>	<p>STEAM CONDENSATE</p> <p>TREATED WATER</p> <p>FUEL OIL (NAFTRA)</p> <p>FUEL GAS (NATURAL GAS)</p> <p>CLEAN WATER SEWER</p>	<p>OILY OR DIRTY WATER SEWER</p> <p>SMOGAL WASTE</p> <p>SANITARY SEWER</p> <p>FIRE WATER</p> <p>FLUSHING OIL</p>	<p>PUMP/OUT</p> <p>PURGE GAS (NITROGEN)</p> <p>BLOWDOWN</p> <p>FLARE</p> <p>TO ATMOSPHERE</p>	<p>CRG START-UP GAS</p> <p>PIPELINE GAS (PAT. GAS)</p> <p>BOILER FEED WATER</p>	<p>PROCESS CONDENSATE</p> <p>RAIN WATER</p> <p>FUEL GAS (STEELWORK)</p> <p>DOOR WATER</p> <p>PRESSURIZATION AIR</p>	<p>#15 STEAM CONDENSATE</p>	<p>NOTE 1</p> <p>NOTE 2</p> <p>NOTE 3</p> <p>NOTE 4</p> <p>NOTE 5</p>
---	--	--	--	---	---	---	-----------------------------	---

PHILADELPHIA GAS WORKS
ENGINEERING DEPT. PHILADELPHIA, PA.

12-A-181

ITEM NOS. THIS DWG. A-302

ENGINEERING FLOW DIAGRAM
SECTION 300 SUPPORT FACILITIES
WATER TREATING SECTION
60 MM SCD SING PLANT
PHILADELPHIA GAS WORKS
PHILADELPHIA, PENNSYLVANIA

EST. NO. 15-1779
CONTRACT NUMBER 15-1779
DWG. NO. 1779-50-17