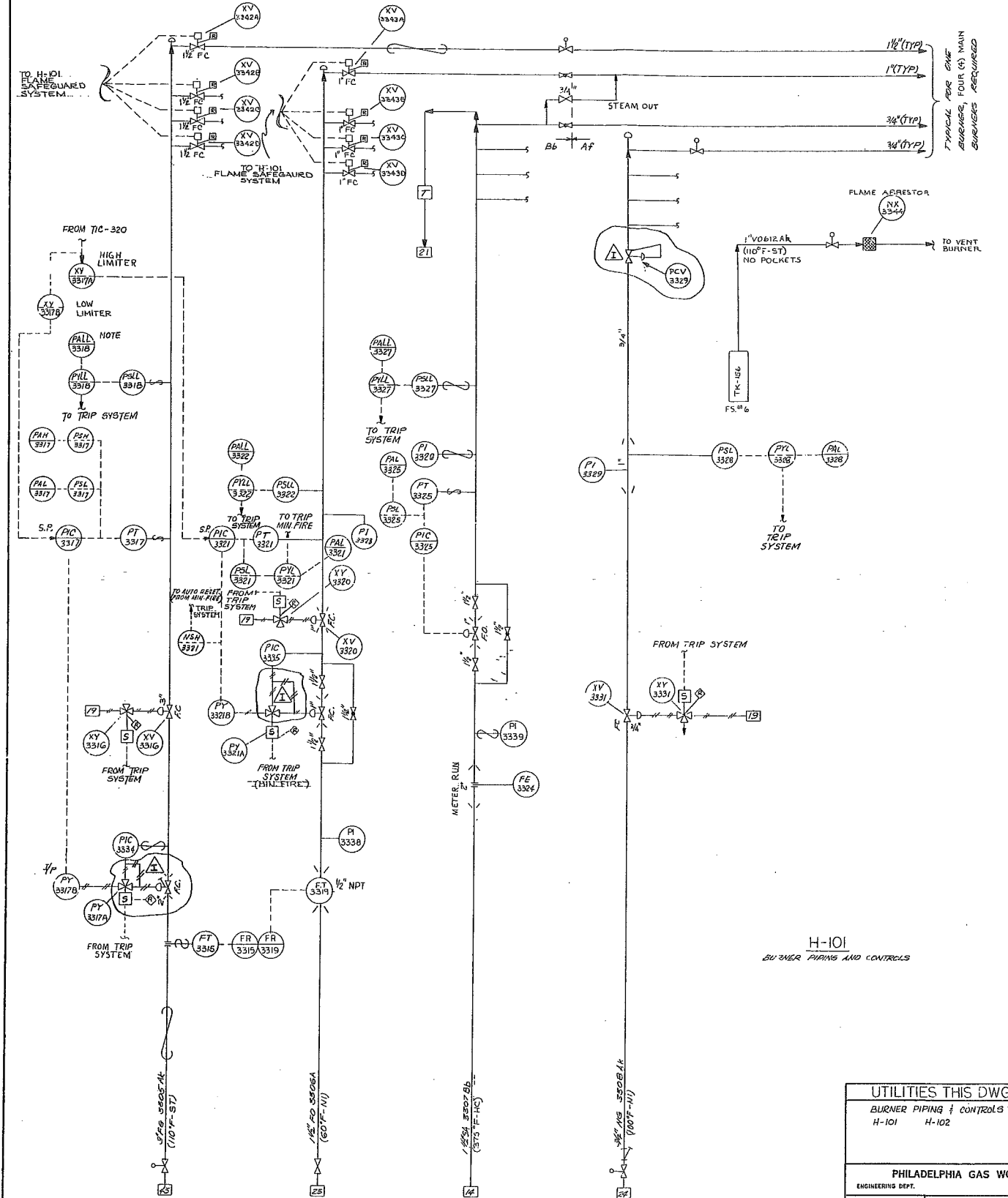


H-102
BURNER PIPING AND CONTROLS



H-101
BURNER PIPING AND CONTROLS

NOTES
 1. P.S.L. FOR STRETFORD GAS EXTRA LOW PRESSURE TRIPS SHALL BE SET SO THAT HEATERS H-101 AND H-102 AND STEAM GENERATORS 84-301A/B WILL SEQUENTIALLY STOP USE OF STRETFORD GAS.
 2. SEE GENERAL NOTES, ETC., SEE F.S.P. 1

UTILITIES THIS DWG.
 BURNER PIPING & CONTROLS
 H-101 H-102

PHILADELPHIA GAS WORKS
 ENGINEERING DEPT. PHILADELPHIA, PA.
 W.D. PGW DWG. NO.
 APPROVED 12-A-197

ITEM NOS. THIS DWG.
 FOSTER WHEELER ENERGY CORPORATION
 110 SOUTH ORANGE AVENUE, LIVINGSTON, N.J.
 AND IS HEREBY GRANTED TO OTHERS THAN THE UNDERSIGNED PURSUANT TO THE AGREEMENT REFERRED TO IN THE PREVIOUS SENTENCE. NO OTHER USE OF THIS OR INDICATED HEREON FOR ANY PURPOSE OTHER THAN THAT FOR WHICH IT IS SPECIFICALLY PUBLISHED. NO WARRANTIES ARE MADE IN THIS DRAWING IS COVERED BY PATENTS.

UTILITY FLOW DIAGRAM
 PROCESS AREA SECTIONS 100, 150, 200
 60 MM SCFD SING PLANT
 PHILADELPHIA GAS WORKS

PHILADELPHIA PENNSYLVANIA
 EST. NO. 15-1779 DRAWING NO. 12-A-197
 CONTRACT NUMBER 15-1779 DWG. NO. 12-A-197-33

COOLING WATER SUPPLY (GLYCOL-WTR)	REGENERATED STEAM	STEAM CONDENSATE	ONLY OR DIRTY WATER SEWER	PURGE GAS (NITROGEN)	CRG START-UP GAS	PROCESS CONDENSATE	15# STEAM CONDENSATE
COOLING WATER RETURN (GLYCOL-WTR)	NOTABLE WATER	TREATED WATER	GAS-HEAT WASTES	PURGE GAS (NITROGEN)	PIPELINE GAS (AHT. GAS)	RAIN WATER	
550# H.P. STEAM	PLANT AIR	FUEL OIL (WATER)	SANITARY SEWER	BLOWDOWN	FUEL GAS (AHT. GAS)	FUEL GAS (STRETFORD)	
1500# ATHERIZING STEAM	INSTRUMENT AIR	FUEL GAS (ATHERIZING)	FIRE WATER	FLARE	BOILERFEED WATER	SOUL WATER	
50# L.P. STEAM		CLEAN WATER SEWER	FLUSHING OIL	TO ATMOSPHERE		PRESSURIZATION AIR	

ITEM NO.	SERVICE	ITEM NO.	SERVICE
1	EQ. AT P.T.	1	SERVICE
2	DES. G.P.M. AT P.T.	2	SHELL DES. P. & T.
3	DES. D.P.P. S.I.	3	PIPE DES. P. & T.
4	MAX. WGT. P.S.I.G.	4	SURFACE
5	MATERIAL	5	INT. SURF.
6	INSULATION	6	EXTER. SURF.
7	REVISIONS	7	INSULATION
8		8	INSULATION

REV. NO.	DATE	BY	DESCRIPTION
1	11/18/79	AS-BUILT	AS-BUILT
2	12/28/77	RELEASED FOR ERECTION	RELEASED FOR ERECTION
3	9/29/77	BURNER FUEL SHUTOFF	BURNER FUEL SHUTOFF
4	7-21-77	BACK CHECKED - NOT ISSUED	BACK CHECKED - NOT ISSUED
5	6/8/77	GENERAL REVISION	GENERAL REVISION
6	1/15/77	DEFINITIVE ESTIMATE	DEFINITIVE ESTIMATE