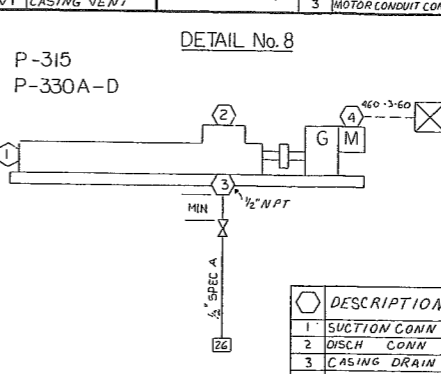
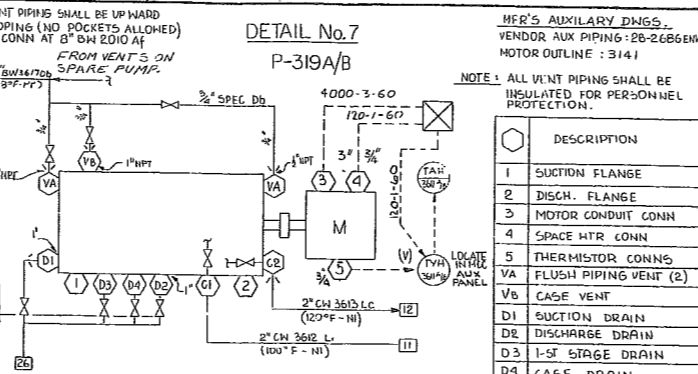
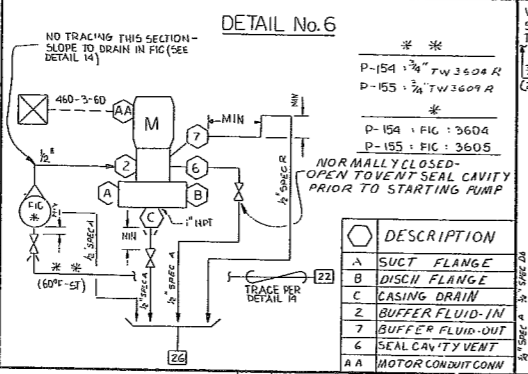
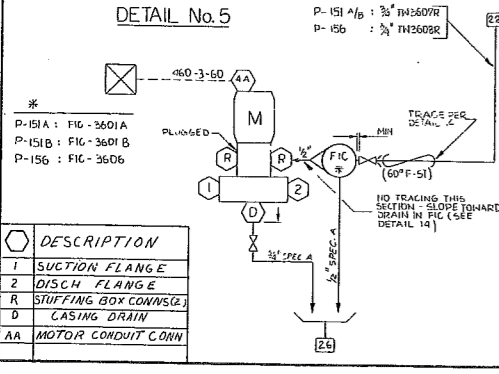
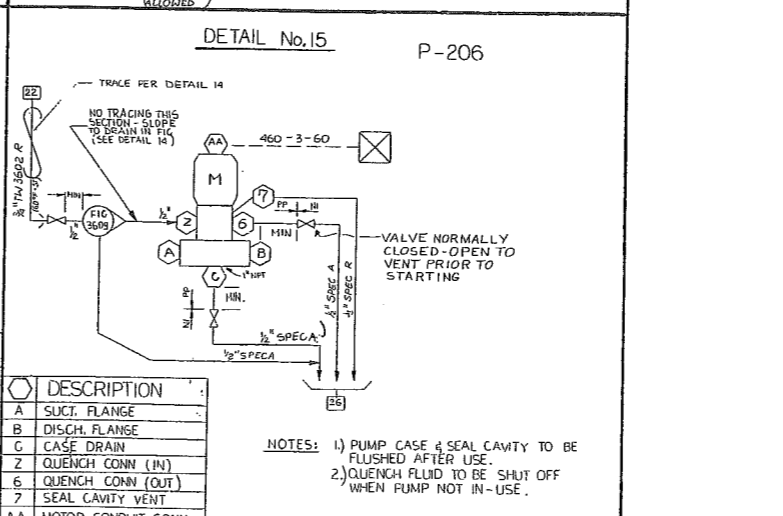
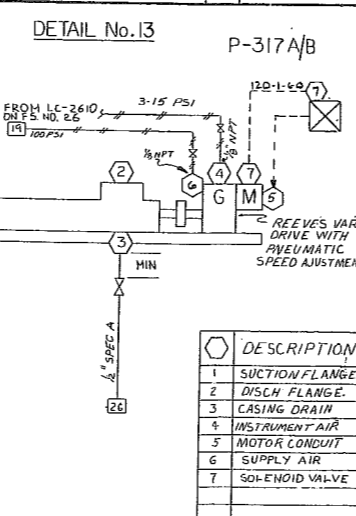
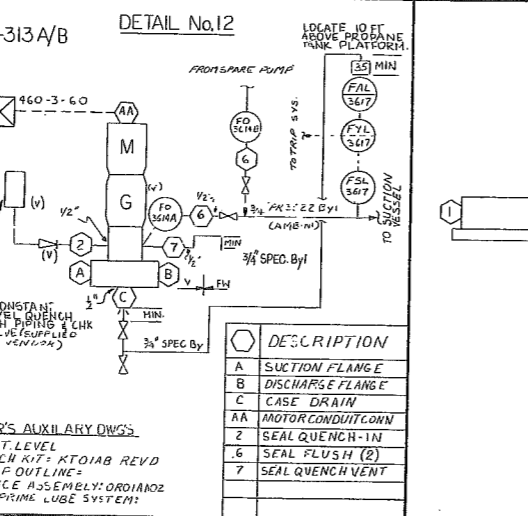
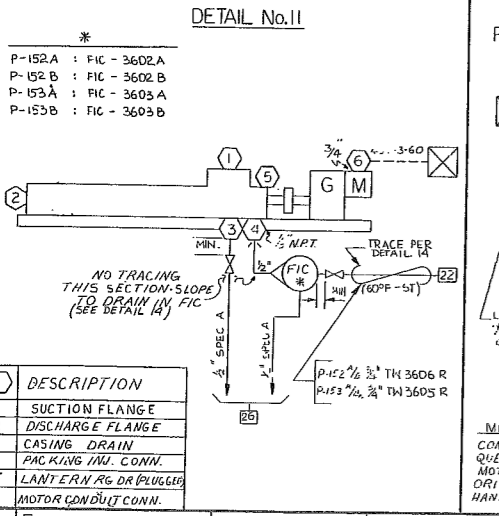
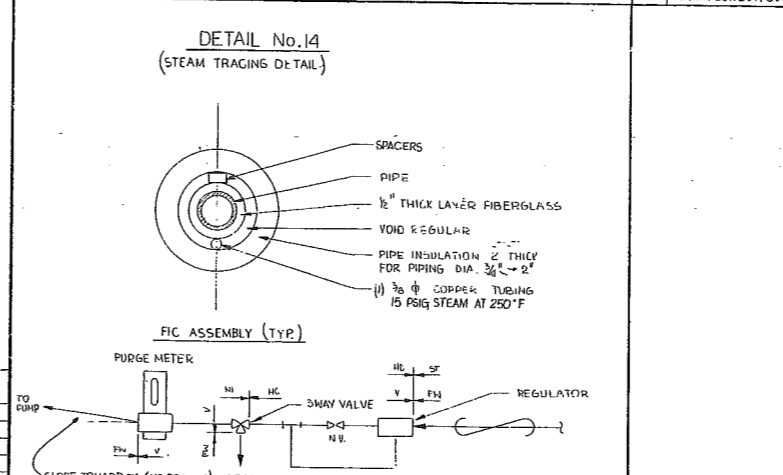
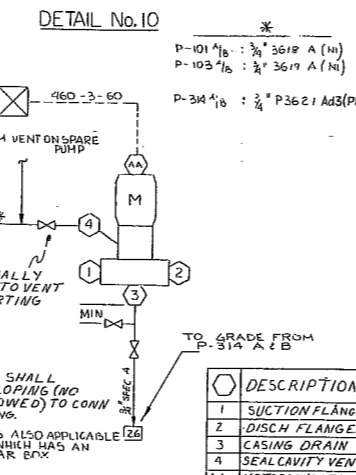
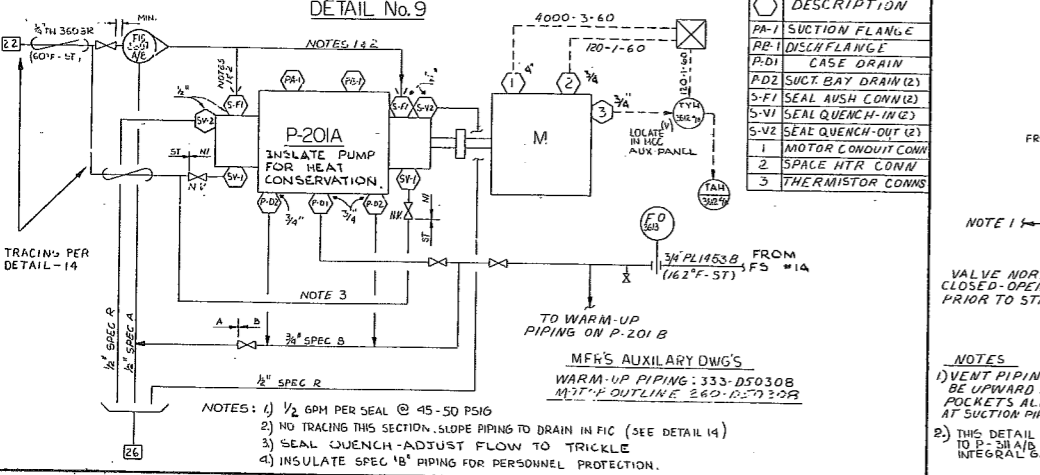


ITEM No	FS	MANUFACTURE	MANUFACTURE OUTLINE DWG	MANUFACTURE AUX. DWG	DETAIL No.
P-101A/B	2	UNITED	PD-9125-5	26-4977-76	10
P-102A/B	3	PACIFIC	300-350366	400-350306	2
P-103A/B	5	UNITED	PD-9125-5	26-4977-76	10
P-104A/B	5	PACIFIC	300-350307	400-350307	2
P-105	2	UNITED	PD-9125-5	26-4977-76	1
P-106A/B	5	UNITED	26-6828	SEE DETAIL	3
P-107	2	HILLS McCANNA	40-51-021	5111-16	NONE
P-151A/B	6	UNITED	PD-9125-5	NONE	5
P-152A/B	6	ROBBINS & MYERS	383-996700	NONE	11
P-153A/B	7	ROBBINS & MYERS	383-197000	NONE	11
P-154	7	SUNDSTRAND	7718A43	NONE	6
P-155	7	SUNDSTRAND	7718A43	NONE	6
P-156	7	UNITED	PD-9125-5	NONE	5
P-201A/B	14	PACIFIC	300-350308	SEE DETAIL	7
P-203A/B	14	SUNDSTRAND	7718A44-45	NONE	1
P-206	15	SUNDSTRAND	7718A46	NONE	15
P-207	15	GOULDS	248-30	NONE	4
P-301A/B	19	UNITED	PD-9126-5	26-4977-76	1
P-301A/B	22	UNITED	PD-9126-5	26-4977-76	1
P-311A/B	24	SUNDSTRAND	7718B36-37	NONE	NONE
P-312A-D	23	U.C. CARTER	6225-2740-133	NONE	NONE
P-313A/B	24	SUNDSTRAND	7718A47-48	SEE DETAIL	12
P-314A/B	27	UNITED	PD-9125-5	26-4977-76	10
P-315	26	ROBBINS & MYERS	383-2007900	NONE	5
P-316	26	GOULDS	113-6A	NONE	2
P-317A/B	26	ROBBINS & MYERS	383-1996700	NONE	13
P-319A/B	20	UNITED	2D-2171	SEE DETAIL	7
P-320A/B	20	HILLS McCANNA	40-51-253	5111-16	NONE
P-321A/B	20	HILLS McCANNA	40-51-253	5111-16	NONE
P-325A/C	18	WORTHINGTON	SEE AUXILIARY FLOW SHEET No. 38		
P-327A/B	18	UNITED	PD-9125-5	26-4977-76	1
P-328	18	WORTHINGTON	SEE AUXILIARY FLOW SHEET No. 38		
P-330A-D	23	CHERRY BURRELL	50-0018-77A	NONE	8
P-331	24	HILLS McCANNA	40-51-021	5111-16	NONE
P-332	18	WORTHINGTON	SEE AUXILIARY FLOW SHEET No. 38		



DESCRIPTION	ITEM NO.	MANUFACTURE	MANUFACTURE OUTLINE DWG	MANUFACTURE AUX. DWG	DETAIL No.
M-151	6	NETTCO	3-569-A	NONE	
M-152	7	NETTCO	3-570-A	NONE	
M-201	15	NETTCO	3-571-A	NONE	



ITEM NO.	DESCRIPTION	ITEM NO.	DESCRIPTION
1	COOLING WATER SUPPLY (ALLOY-STEEL)	10	GRD START-UP GAS
2	COOLING WATER RETURN (ALLOY-STEEL)	11	PURGE GAS (NITROGEN)
3	POTABLE WATER	12	BLowDOWN
4	PLANT AIR	13	FLARE
5	FUEL OIL (REFINED)	14	TO ATMOSPHERE
6	FUEL GAS (NATURAL GAS)	15	COOLER FEED WATER
7	FIRE WATER	16	PROCESS CONDENSATE
8	CLEAN WATER SEWER	17	RAIN WATER
9	ONLY OILY OR DIRTY WATER SEWER	18	FUEL GAS (STRENGTH)
10	SAANITARY SEWER	19	SOOR WATER
11	FLUSHING OIL	20	PRESSURE/WEATHER AIR
12	PUMP/OUT		
13	PURGE GAS (NITROGEN)		
14	BLowDOWN		
15	FLARE		
16	TO ATMOSPHERE		
17	COOLER FEED WATER		
18	PROCESS CONDENSATE		
19	RAIN WATER		
20	FUEL GAS (STRENGTH)		
21	SOOR WATER		
22	PRESSURE/WEATHER AIR		

PHILADELPHIA GAS WORKS
ENGINEERING DEPT. PHILADELPHIA, PA.

NO. 12-A-221

APPROVED

FOR PUMPS AND MIXERS SEE LIST UPPER RIGHT THIS SHEET

ITEM NOS. THIS DWG.

PHILADELPHIA GAS WORKS
AUXILIARY FLOW DIAGRAM PUMPS
SECTIONS 100, 150, 200, 300-60 MM SCD GAS PLANT
PHILADELPHIA GAS WORKS

PHILADELPHIA PENNSYLVANIA

DATE: 7/20/78

DWG. NO. 17704-01-22