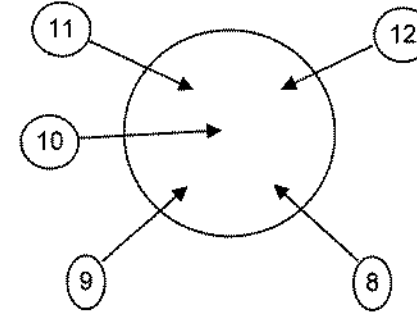


Manway Cover Detail



Outside Dia	25"
No of bolts:	16
Bolt length:	6"
Bolt dia.:	1-1/8"
Nom. size:	18#
Rating:	150#
Type	Long Neck

U-1 on hand Y
 Heat Treat N
 X-Ray N

Tank Openings

Tank Details

Description

Dimensions

O/A Length	A -	68' 2"
Length - weld to weld	B -	57' 0"
Diameter of Tank	C -	110"
Weld to End	D -	4' 7"
Width of Piers	E -	
C/C of Piers	F -	
C/L of Piers to Weld end	G -	
Ht. Of tank above grade	H -	
	K -	2'

No	Size	Type	Description	Tank Details		Description		Dimensions	
1	2"	300#	12	Manufacturer:	J. B. Beard	Type of Head			Hemi
2	1-1/4"	Pipe	Thermowell	Date of manufacture	1952				
3	2-1/2"	NPT	Magnatel			Tank Capacity	USWG		30,057
4	3/4"	NPT	Max fill / Pressure gauge	Working Pressure	200 U-69	Tank Weight	estimated		79,000
5	18"	150#	Manway	National Board Number		Tank Shell			0.98
6	3"	300#	Multiport Mount	Serial Number	29829-1	Tank Head			0.501
7				Steel Type:	SA-212 Grade B				
8	2"	300#				Pier Type	(Concrete / saddles / Flat)		Concrete
9	1-1/2"	300#		Jurisdiction #					
10	1-1/2"	300#							
11	1-1/2"	300#		Gauge type	Magnatel				
12	1-1/2"	300#		Thermometer					
13				Paint Condition:	White				
14				Color:	Fair				
15						Information taken by:			Steve Fallon
16				Relief Valve Type	Multiport	Date:			
17				Test Date		Tank Location			Gloucester, MA