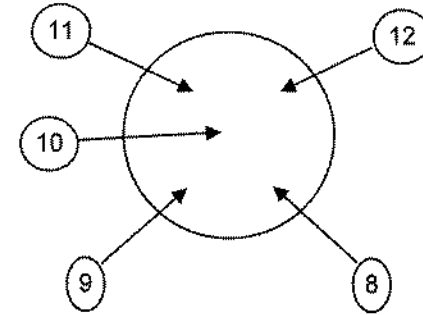


**Manway Cover Detail**



Outside Dia	25"
No of bolts:	16
Bolt length:	6"
Bolt dia.:	1-1/8"
Nom. size:	18"
Rating:	150#
Type	Long Neck

U-1 on hand            Y  
 Heat Treat            N  
 X-Ray                    N

**Tank Openings**

**Tank Details**

**Description**

**Dimensions**

O/A Length	A -	66' 2"
Length - weld to weld	B -	57' 0"
Diameter of Tank            O. D.	C -	110"
Weld to End	D -	4' 7"
Width of Piers	E -	
C/C of Piers	F -	
C/L of Piers to Weld end	G -	
	H -	
Ht. of tank above grade	K -	2'

No Size Type

Description

1	2"	300#	12
2	1-1/4"	Pipe	
3	2-1/2"	NPT	
4	3/4"	NPT	
5	18"	150#	
6	3"	300#	
7			
8	2"	300#	
9	1-1/2"	300#	
10	1-1/2"	300#	
11	1-1/2"	300#	
12	1-1/2"	300#	
13			
14			
15			
16			
17			

Manufacturer:	J. B. Beard	Type of Head	Hemi
Date of manufacture	1952	Tank Capacity	30,057
Working Pressure	200 U-69	Tank Weight	79,000
National Board Number		Tank Shell	0.98
Serial Number	29829-2	Tank Head	0.501
Steel Type:	SA-212 Grade B		
Jurisdiction #		Pier Type (Concrete / saddles / Flat)	Concrete
Gauge type	Magnatel		
Thermometer			
Paint Condition:	White		
Color:	Fair		
Relief Valve Type	Multiport	Information taken by:	Steve Fallon
Test Date		Date:	
		Tank Location	Gloucester, MA