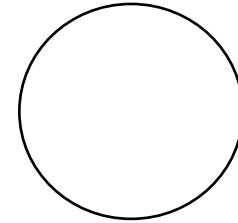
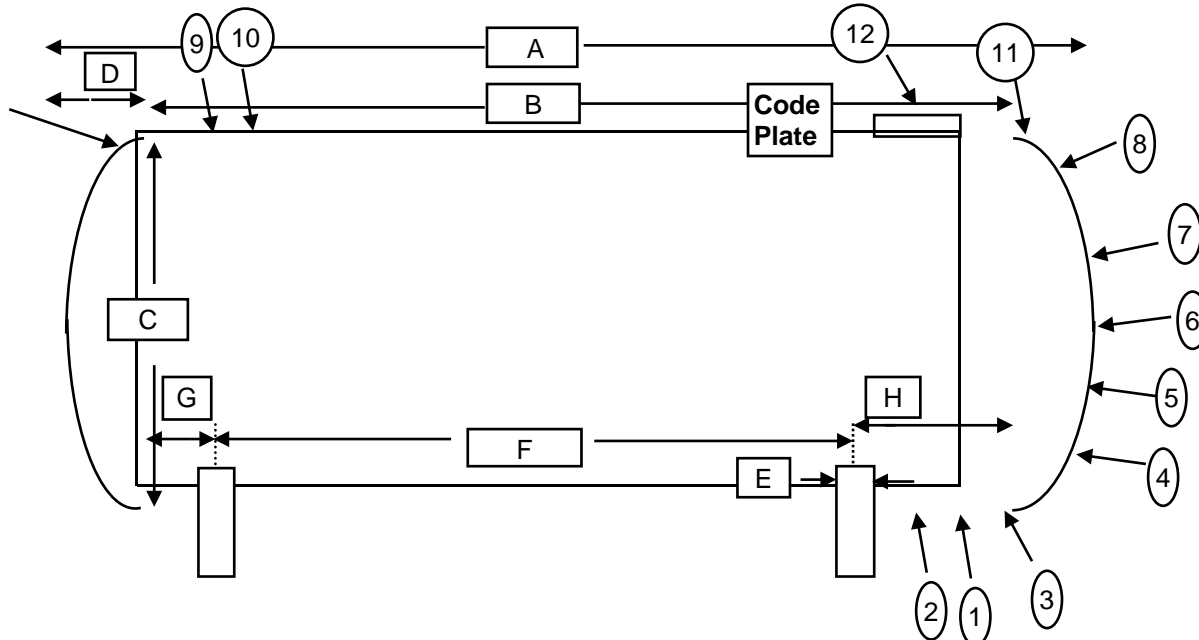


Manway Cover Detail



Outside Dia	
No of bolts:	
Bolt length:	
Bolt dia.:	
Nom. size:	
Rating:	
Type:	

TANK # 4



Inches from Head Seam

U-1 on hand
Heat Treat
X-Ray

YES
NO
Spot

Tank Openings

Tank Details

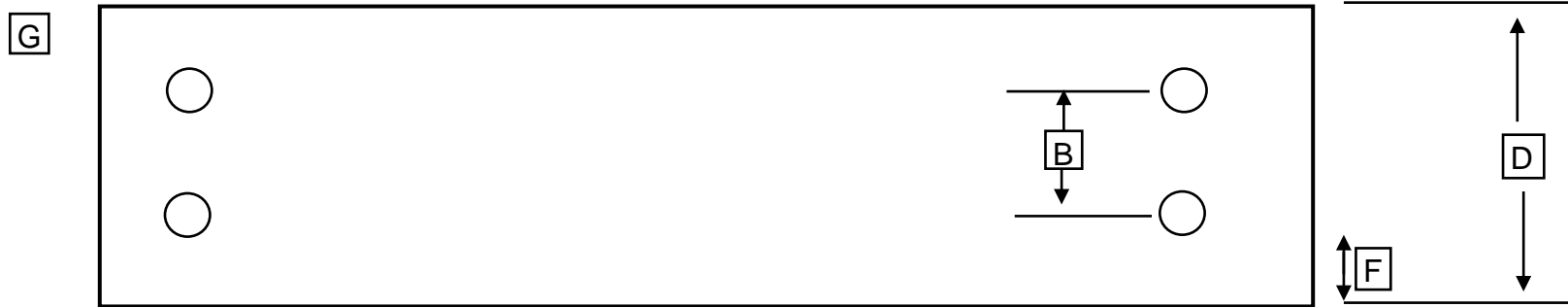
Description

Dimensions

O/A Length	A -	26'
Length - weld to weld	B -	18'2"
Weld to End	C -	7'
Width of Piers	D -	22"
C/C of Piers	E -	12"
C/L of Piers to Weld end	F -	13' 6"
	G -	27"
	H -	30"

No	Size	Type	Description	Tank Details		Description		Dimensions	
1	2"	NPT	Vapor	Manufacturer:	Patterson Boiler	Type of Head			Elliptical
2	3"	NPT	Liquid	Date of manufacture	1965				
3	3/4"	NPT	Plugged			Tank Capacity	USWG		6,000
4	3/4"	NPT	Thermowell	Working Pressure	250	Tank Weight	estimated		
5	1-1/4"	NPT	Plugged	National Board Number	1991	Tank Shell			3/4"
6	2-12"	NPT	Magnatel mount	Serial Number	C5-91-A2	Tank Head			5/8"
7	3/4"	NPT	Plugged	Steel Type:	SA212-grB				
8	3/4"	NPT	Max-Fill / Pressure Gauge			Pier Type	(Concrete / saddles / Flat)		
9	2"	NPT	Pressure Relief	Jurisdiction #		Tank Saddles			Loose Steel
10	2"	NPT	Pressure Relief	Pressure Gauge					
11	1"	NPT	Plugged	Liquid Level Gauge	Magnatel				
12	18"		Manway						
13				Paint Condition:	Good				
14				Color:	White				
15						Information taken by:			Frank Kovacs
16				Relief Valve Type	Internal	Date:			6/4/2009
17				Test Date		Tank Location			KIK-Cumberland, RI

Steel Saddle Footprint Sketch



	Number of bolt holes	4
A	Center to center of bolt holes	66-1/4"
B	Center to center of bolt holes	3-1/2"
C	Outside plate dimension	77"
D	Outside plate dimension	6"
E	Center of hole to edge of plate	5-1/2"
F	Center of hole to edge of plate	1-3/8"
G	Bolt Hole Diameter	3/4"
	Bottom of Foot Plate to Shell	6"